



PowRlock® Hydraclamps Super Senior Type

The super senior Hydraclamp is hand screw operated permitting pressure to be readily applied or released in accordance with the requirements of the load. A pre-load sleeve is provided which controls the pressure release and enables any desired degree of sustained pressure to be maintained to form a permanent partial lock if required.

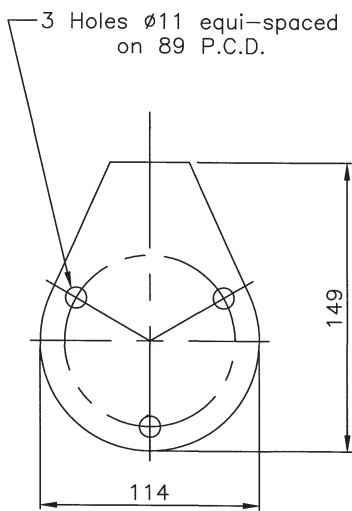


Hydraulic Operation

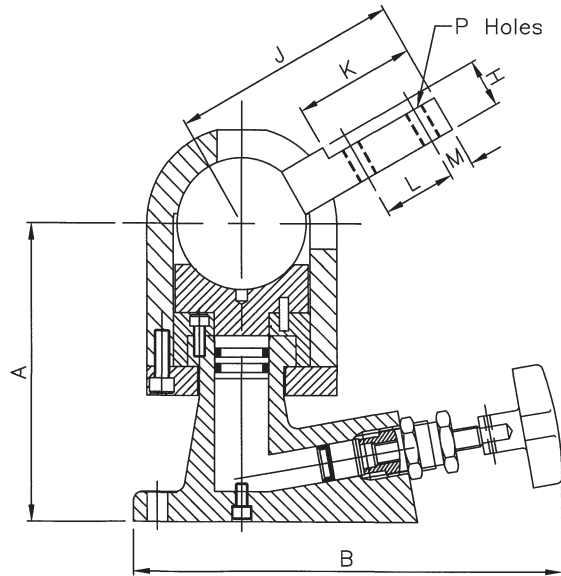
Maximum loading

150kg 300mm from Ball Centre at 45°

TYPE 1440M



TYPE 1440M



Weight 9.9KG

Dimensions in mm										WDS No	Seal Kit No.
A	B	C	D	H	J	K	L	M	P		
154.9	224	28.57	19.05	25.4	120	63.5	38.1	12.7	M10 x 1.5	SF-1440M	SF-4776

Ordering Information

Tel: 0845 606 6677 • Fax: 0845 601 1173

Order online at www.spencerfranklin.com • E-mail: sales@wdsLtd.co.uk

Spencer Franklin - WDS • Richardshaw Road • Grangefield Industrial Estate • Pudsey • Leeds LS28 6LE

If you can't find what you are looking for still call us. We also manufacture 'Specials'