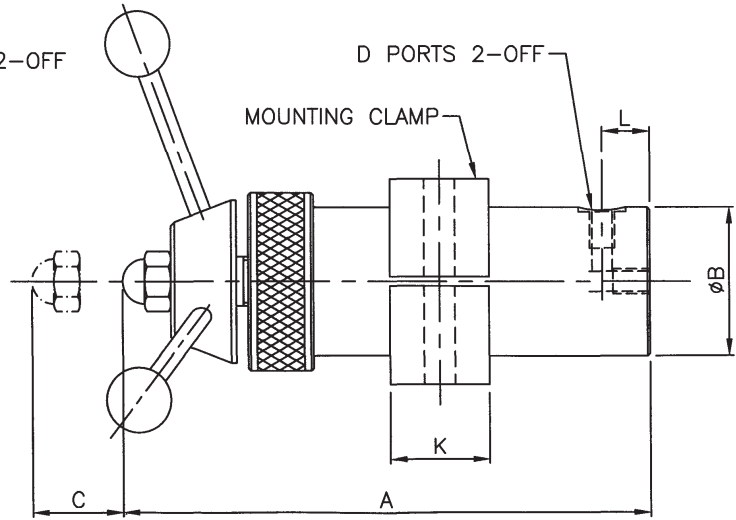
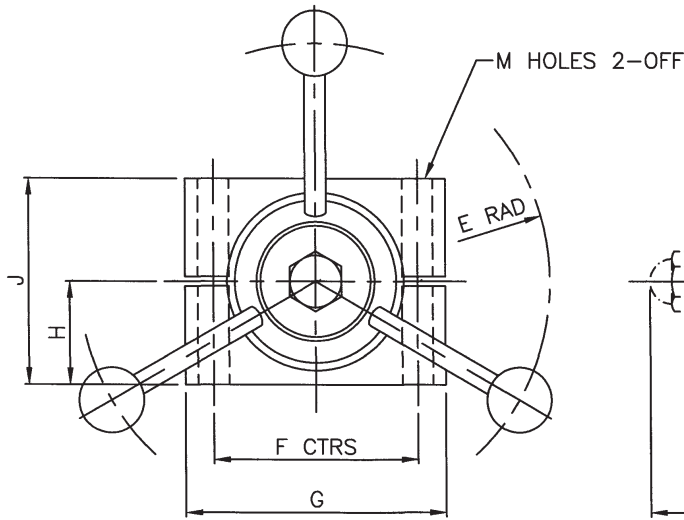
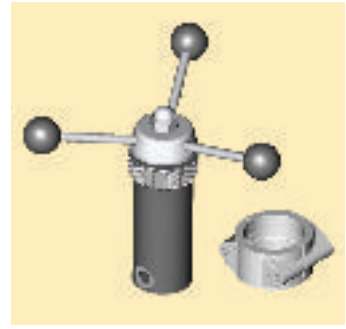


Capstan Pump



WDS No	A	B	C	D	E	F	G	H	J	K	L	M	Clamp Only WDS No
SF-OE00411	150.8	50.8	25.4	1/8"	85.7	60.3	82.5	31.75	63.5	44.5	12.7	10.3	SF-OE50010
SF-OE00412	200	60	65	1/4"	131	71.5	91	40	75	45	15	10.3	SF-OE50011

ALL CAPSTANS ARE SUPPLIED WITH MOUNTING CLAMP AS STANDARD

WDS No	Output for full travel cm ³	Output for one complete turn of Handwheel cm ³	Weight kg
SF-OE00411	25.84	1.84	2.00
SF-OE00412	127.60	2.95	3.74

Maximum Operating Pressure = 270 Bar (3000 P.S.I.)



Ordering Information

Tel: 0845 606 6677 • Fax: 0845 601 1173

Order online at www.spencerfranklin.com • E-mail: sales@wdsLtd.co.uk

Spencer Franklin - WDS • Richardshaw Road • Grangefield Industrial Estate • Pudsey • Leeds LS28 6LE

If you can't find what you are looking for still call us. We also manufacture 'Specials'